

TECHNICAL DATA SHEET

PE backfill sealant

Art. no. 0875 815 100

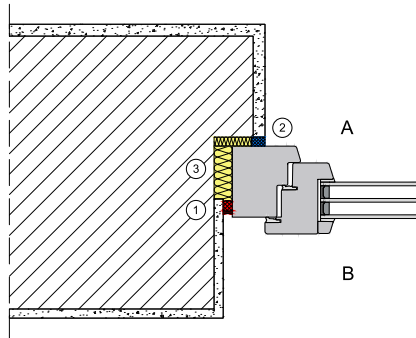
P. Qty.: 100

Silicone-free and good joint filling strength

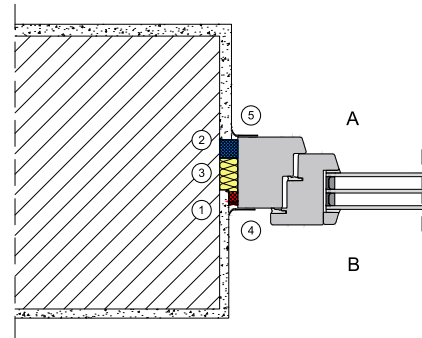
Chemical basis	Polyethylene
Colour	Grey
Diameter (Ø)	15 mm
Length	100 m
Moulded density	30 kg/m ³
Conditions for moulded density	in accordance with DIN 53420
Compression force deflection	40 N/mm ²
Compression force deflection conditions	in accordance with DIN 53577, 40% longitudinal compression
Min. breaking elongation	15 %
Breaking elongation conditions	in accordance with DIN 53571
Min. tensile strength	200 kPa
Max. tensile strength	300 kPa
Conditions for tensile strength	in accordance with DIN 53571
Min. temperature resistance	-40 °C
Max. temperature resistance	60 °C
CFC (fuel gas) free	Yes
Silicone-free	Yes
DIN	18540
Building material class	B3 - Of high flammability
Building material class conditions	in accordance with DIN 4102



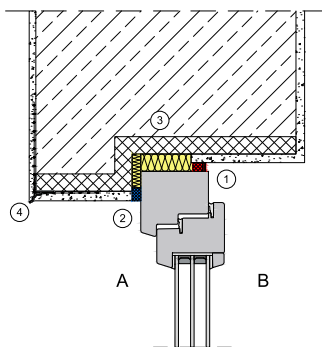
TECHNICAL DATA SHEET



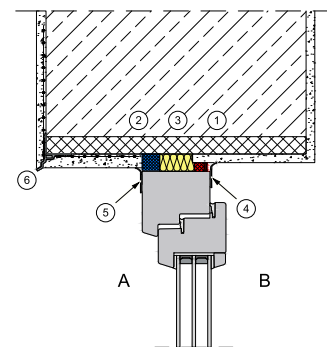
1. PE backfill material, cut-resistant round cord, paint acrylic
2. Sealing tape VKP PLUS, sealing tape VKP MAX
3. IC gun foam PURLOGIC Top, IC gun foam PURLOGIC Flex



1. PE backfill sealant
2. Sealing tape VKP PLUS, sealing tape VKP MAX
3. IC gun foam PURLOGIC Top, IC gun foam PURLOGIC Flex
4. Flat strip with lip



1. PE backfill sealant
2. Sealing tape VKP PLUS, sealing tape VKP MAX
3. IC gun foam PURLOGIC Top, IC gun foam PURLOGIC Flex
4. Drip edge profile UP



1. PE backfill sealant
2. Sealing tape VKP PLUS, sealing tape VKP MAX
3. IC gun foam PURLOGIC Top, IC gun foam PURLOGIC Flex
4. Flat strip with outer seal, flat strip with seal
5. Drip edge profile UP

Notice

Ø 6–30 mm are available as roll goods, Ø40 mm and 50 mm as bar goods, each 1 m in length

The usage instructions are recommendations based on the tests we have conducted and based on our experience; carry out your own tests before each application. Due to the large number of applications and storage and processing conditions, we do not assume any liability for a specific application result. Insofar as our free customer service provides technical information or acts as an advisory service, no responsibility is assumed by this service except where the advice or information given falls within the scope of our specified, contractually agreed service or the advisor was acting deliberately. We guarantee consistent quality of our products. We reserve the right to make technical changes and further develop products.